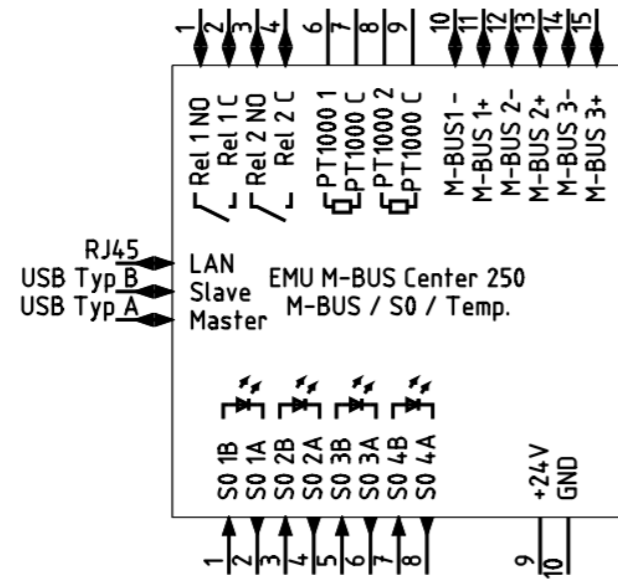


WIRING DIAGRAM

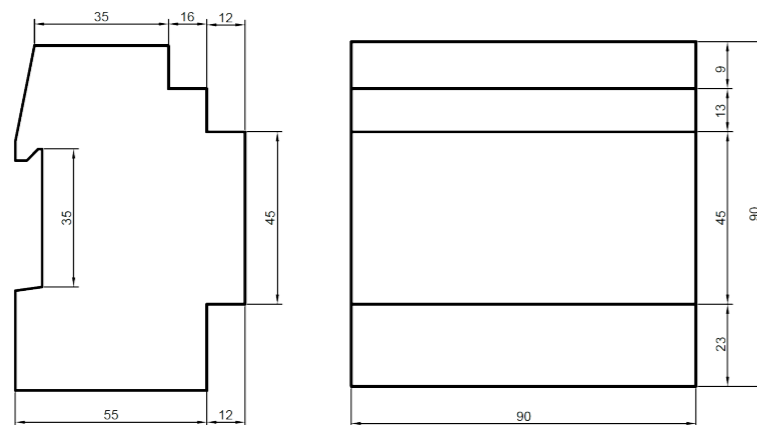


PRODUCT INFORMATION

Number of M-Bus slaves	Max. 20 / 60 / 120 / 250, (250 x 1.5mA) see ordering information
Analysis	Web server / graph suitable for ISO 50001
Ports	1 x USB type A 1 x USB type B 1 x Ethernet 10/100 Base RJ45
Inputs	3 x M-Bus 4 x S0 pulse input 2 x temperature PT1000
Outputs	2 x relay
M-Bus level converter	Integrated heavy duty level converter
Data export	.csv and JSON file, other formats upon request
Data storage	MicroSD card, SQL
Firmware update	Yes, via user interface
Backup	Yes, via user interface
Configuration	Local and remote configuration via web server

DIMENSIONAL DRAWING

The narrow 90mm M-Bus Center mounts on a DIN rail.



TECHNICAL DATA

Operating voltage	24VDC
Power input	Max. 1A
Temperature range	0-55°C
M-Bus baud rate	300, 600, 1200, 2400, 4800, 9600
M-Bus standby current	Max. 375mA (250 x 1.5mA), see ordering information
Compatibility	Heat, water, gas and electricity meters with M-Bus per EN 13757-2, -3 (formerly EN1434-3)
Galvanic isolation, short circuit and overload protection	Yes
Security	CE mark
EMC measurement	EN 61000-6-2
Immunity	EN 61000-6-3
M-Bus standard	EN 13757-2,-3
Energy management	Suitable for ISO 50001
BACnet IP	B-ASC certified
Display	LCD with backlight
Weight	Approx. 400g
Installation	35mm DIN rail
Housing	Polycarbonate, recyclable, non-flammable

ORDERING INFORMATION

EVERYTHING YOU NEED FOR ENERGY MANAGEMENT

	Article number	Designation
M-Bus data logger	201.250.00	M-Bus Center for 250 M-Bus meters
	201.120.00	M-Bus Center for 120 M-Bus meters
	201.060.00	M-Bus Center for 60 M-Bus meters
	201.020.00	M-Bus Center for 20 M-Bus meters
Energy Management ISO 50001 Local installation	EMS0EL000	Energy management ISO 50001 Joulio Small Installation: Local, license for 30 meters
	UP0EL000	Update agreement for EMS Joulio Small
	EMS0EL100	Energy management ISO 50001 Joulio Medium Installation: Local, license for 80 meters
	UP0EL100	Update agreement for EMS Joulio Medium
	EMS0EL200	Energy management ISO 50001 Joulio Large Installation: Local, license for 250 meters
	UP0EL200	Update agreement for EMS Joulio Large
Energy Management ISO 50001 Installation in computer centre	EMS0EW000	Energy management ISO 50001 Joulio Small Installation: Computer centre, license for 30 meters
	UP0EW000	Hosting & update agreement for EMS Joulio Small
	EMS0EW100	Energy management ISO 50001 Joulio Medium Installation: Computer centre, license for 80 meters
	UP0EW100	Hosting & update agreement for EMS Joulio Medium
	EMS0EW200	Energy management ISO 50001 Joulio Large Installation: Computer centre, license for 250 meters
	UP0EW200	Hosting & update agreement for EMS Joulio Large

Data specified in the product catalogue has been compiled in all conscience. Changes and errors expressly reserved. "Images similar" does not constitute a term of contract. This is a notice without autonomous scope which merely states the information in the catalogue is preliminary and non-binding in that it may be corrected before or on conclusion of contract. These notices do not provide any contractual scope, particularly any limitation in the rights of the contracting party with respect to liability or warranty.

We compile and update our compatibility lists with utmost care. Please contact our support service to verify compatibility with existing meters.

Would you like to analyse and monitor **more than 250 meters**?
We will gladly work with you to define the optimal solution and license.