

SPECIFICATION: L2MA LOW FREQUENCY PULSE TRANSMITTER REED

Product Codes:

	Assembly	Pulse Transmitter	Cable/Plug
Cable only	R01213-000		
Binder Male Socket	R01223-000	W86324-000	W86413-000
Binder Female Socket	R01233-000	W86314-000	W86423-000

Assembly = Pulse Transmitter + Cable/Plug

Description:

- Magnetically activated
- Reed switch
- Two-wire direct current
- Encapsulated, IP67
- External insertion type
- For intrinsic safe circuits

Electrical data:

- Switched voltage : ≤ 24 Vac/dc (no polarity)
- Maximum switched current : ≤ 100 mA
- Pulse width approx. : > 0,3 sec (depending on flow rate)
- Resistance switch open : infinite
- Resistance switch closed : ≤ 150mΩ
- Contact bounce : ≤ 0,3 msec

Pulses/m³:

G16	G25	G40	G65	G100 ²	G100 ¹	G160	G250	G400	G650	G1000
10	10	10	10	10	1	1	1	1	1	0,1

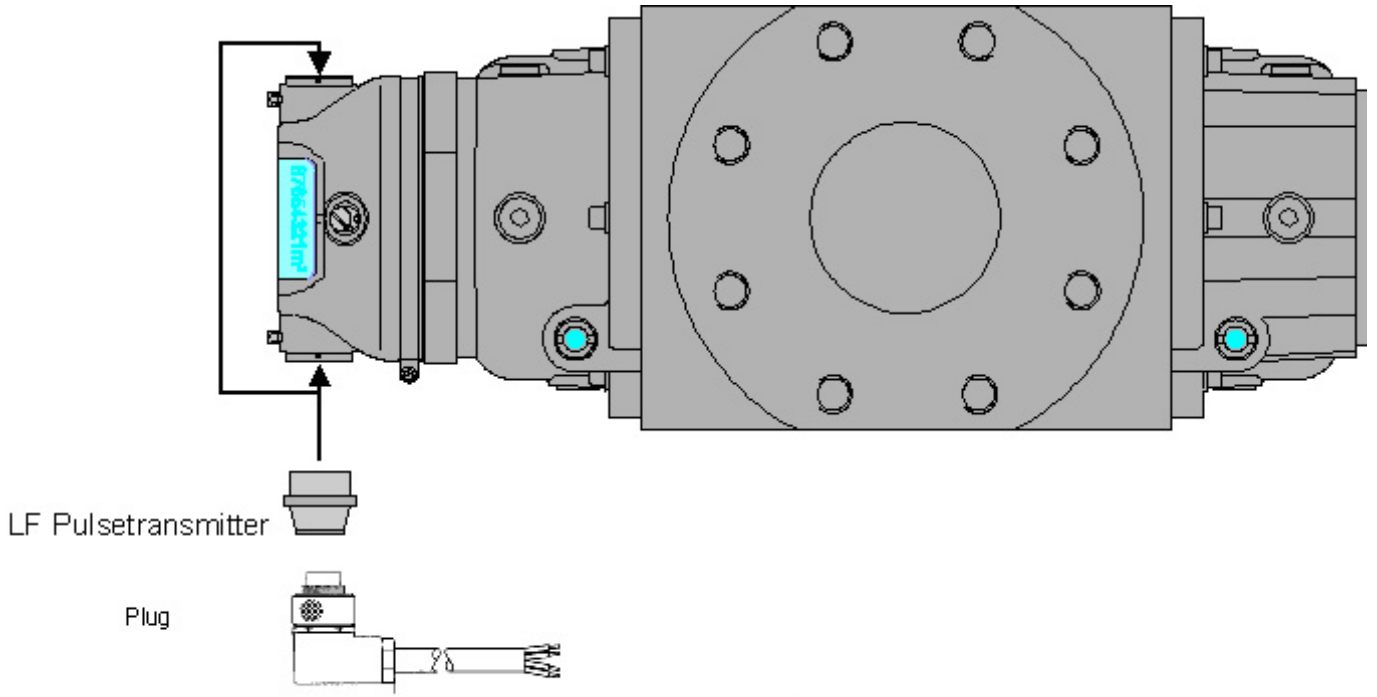
NB: 1 G100 - 1 decimal
2 G100 - 2 decimals (only some countries)

Electrical connections:

Socket: Binder according to 6 DIN 45322, Series 723, IP67

Cable assemblies : length: 3 metre, wire colours: white [+] & brown [-]
W86423-000 : **Male** Plug & Lead assembly (single cable – 2 wire)
Cable LiY-CY 2x0,50

W86413-000 : **Female** Plug & Lead assembly (single cable – 2 wire)
Cable LiY-CY 2x0,50



R01233-000



R01213-000



Application



Pin 1 (+) Pin 4 (-)
(view: solder side)